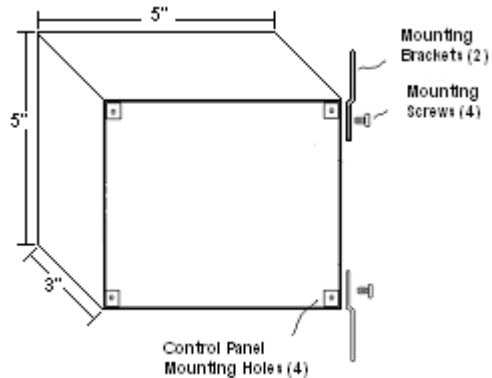




The *ISIMET* Monitoring Lamp features a Square-D Illuminating Beacon mounted onto a Stainless Steel Wall Panel. A wall box with mounting brackets is provided.

The Unit is intended for use as a remote monitoring indicator positioned outside of the classroom in a highly visible location such as above the corridor doorway. We recommend that the unit be mounted at a height that discourages incidental tampering that allows for ready view from occupants within the passageway.

***ISIMET***  
**Model MLA-1-B-A**  
**Monitoring Beacon**  
**Installation Instructions**



**Mounting the Wall Box:**

Using the provided mounting brackets and screws, secure the unit within the wall cavity with the face of the box extending to the wall surface. We recommend that you tape over or otherwise protect the interior of the box during the construction phases.

**Wiring the Unit to the Utility Controller:**

Several knock-outs are provided along the side and back of the Wall Box for your use. A rubber grommet is provided for insertion in the hole if a 3/8" knock-out is selected. If a hole for 1/2" electrical conduit is used, then a connector must be field provided.

Providing field wiring (18 AWG min.), make connections to the Utility Controller's Control Panel. Connect 24 VAC wiring from Terminal 1 "ALARM", Post "Monitor". Terminate wiring in Wall Box. Knock-out in the side of the Wall Box.

**Wiring the Light Panel to the wall box:**

Holding the panel in front of the wall box, make wiring connections from the 18 AWG wiring to the wire leads provided at the base of the Beacon using the three provided wire nuts.

Make wiring connections as follows: White – Common; Blue – Lamp; Black - Horn

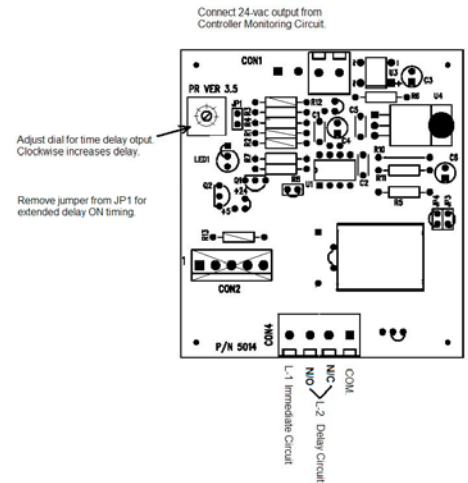
**Test the Unit:**

Place the Utility Controller into Panic by striking the Panic Button. The Panic - Beacon should flash and the alarm sound. Reset of the Controller will terminate illumination of the lamp and reset the alarm.

**Important!**

**All local electrical codes must be followed when connecting the conduit to the service panel and making wiring connections. Do not install wiring or cable for integrated systems, remote panic assemblies or other interface wiring within conduit for either 24-vac control or 120-vac line voltage. Each wiring system should be housed in independent conduit and not bundled with wiring for other systems.**

If the unit fails to operate, contact *ISIMET* or a factory representative.



If the unit is provided with a Time Delay "ON" circuit board, make wiring connections as shown in the drawing above.  
 Units W/ Lamp & Horn: (typical)  
 WHT – COM  
 BLK – Horn (N/O terminal)  
 Blue – Lamp (Immediate terminal)